

Spare Parts List

SPIROMATIC/SPIROLITE HPBATM

9030, 6630, 4530 and 4515

WARNING!

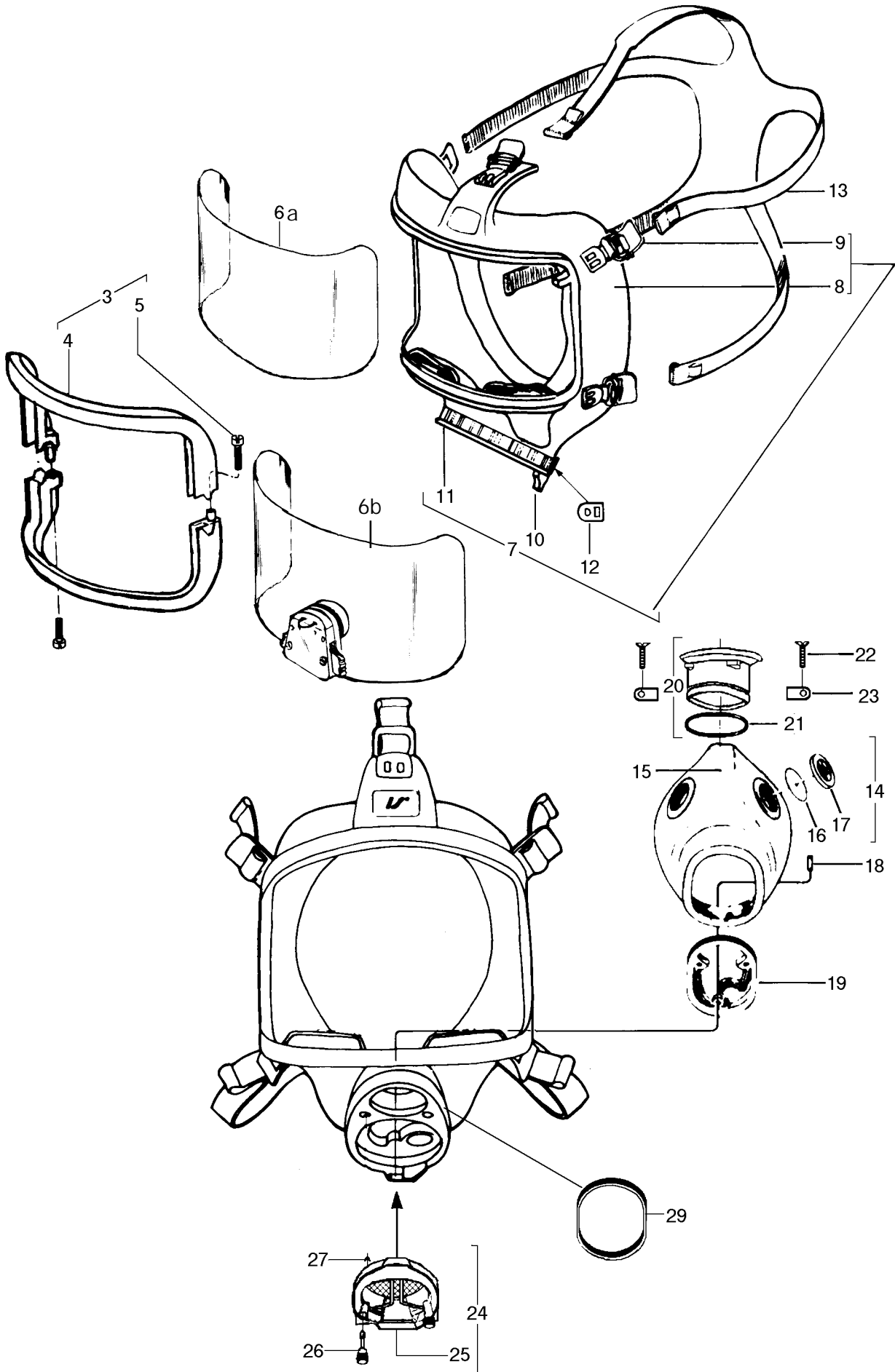
Only holders of a valid INTERSPIRO Service Certificate may carry out service and repairs on a SPIROMATIC HPBA.

Unauthorized service may result in the SCBA's malfunction and persons relying thereon could sustain severe respiratory injury or death

SPIROMATIC/SPIROLITE 9030, 6630, 4530, 4515 MAIN COMPONENTS

Item	Order No	Description
Mask Assembly		
1	336 890 093	SPIROMATIC MASK, NATURAL RUBBER WITH SPEECH DIAPHRAGM, BREATHING VALVE AND BY-PASS HOSE
	336 890 083	Face mask with speech diaphragm and outer speech cone
	336 890 115	Breathing valve with by-pass hose
1	336 890 232	SPIROMATIC MASK, SILICONE RUBBER WITH SPEECH DIAPHRAGM, BREATHING VALVE AND BY-PASS HOSE
	336 890 233	Face mask, Silicone, with speech diaphragm and outer speech cone
	336 890 115	Breathing valve with by-pass hose
1	336 890 141	SPIROMATIC MASK, NATURAL RUBBER WITH SPEECH DIAPHRAGM, BREATHING VALVE AND BY-PASS HOSE WITH QUICK CONNECTION
	336 890 083	Face mask with speech diaphragm and outer speech cone
	336 890 237	Breathing valve and by-pass hose with quick coupling
1	336 890 239	SPIROMATIC MASK, SILICONE RUBBER WITH SPEECH DIAPHRAGM, BREATHING VALVE AND BY-PASS HOSE WITH QUICK CONNECTION
	336 890 233	Face mask, Silicone with speech diaphragm and outer speech cone
	336 890 237	Breathing valve and by-pass hose with quick coupling
1	336 890 222	SPIROMATIC MASK, NATURAL RUBBER WITH SPEECH DIAPHRAGM, BREATHING VALVE AND BY-PASS WITH QUICK CONNECTION. AIR FORCE
	336 890 083	Face mask with speech diaphragm and outer speech cone
	336 890 215	Breathing valve with by-pass and quick connection
1	336 890 462	SPIROMATIC MASK, SILICONE RUBBER WITH SPEECH DIAPHRAGM, BREATHING VALVE AND BY-PASS WITH QUICK CONNECTION. AIR FORCE
	336 890 233	Face mask, Silicone with speech diaphragm and outer speech cone
	336 890 215	Breathing valve with by-pass and quick connection
Regulator Assembly		
2	336 890 025	HIGH PRESURE REGULATOR
2	336 890 026	LOW PRESSURE REGULATOR
2	336 890 145	H.P. REGULATOR WITH QUICK COUPLING AT MANIFOLD BLOCK
2	336 890 146	L.P. REGULATOR WITH QUICK COUPLING AT MANIFOLD BLOCK
2	336 890 214	H.P. REGULATOR AND BREATHING HOSE WITH QUICK COUPLING (AIR FORCE)
2	336 890 463	L.P. REGULATOR AND BREATHING HOSE WITH QUICK COUPLING (AIR FORCE)
Harness Assembly		
3	336 890 052	HARNESS WITH SHOULDER AND WAIST ADJUSTMENT
3	336 890 152	HARNESS WITH ONE POINT ADJUSTMENT
Cylinder Assembly		
4	336 890 006	4515 FIBERGLASS HOOP WRAP, 2216 P.S.I., 30 MINUTE DURATION
4	336 890 138	4515 FIBERGLASS FULLWRAP, 2216 P.S.I., 30 MINUTE DURATION
4	336 890 003	4530 FIBERGLASS FULL WRAP, 4500 P.S.I., 30 MINUTE DURATION
4	336 890 300	4530 KEVLAR/GLASS FULL WRAP, SPIROLITE 4500 P.S.I., 30 MINUTE DURATION
4	336 890 063	6630 FIBERGLASS FULL WRAP, 4500 P.S.I., 45 MINUTE DURATION
4	336 890 177	6630 KEVLAR/GLASS FULL WRAP, SPIROLITE 4500 P.S.I., 45 MINUTE DURATION
4	336 890 037	9030 FIBERGLASS FULL WRAP, 4500 P.S.I., 60 MINUTE DURATION
4	336 890 257	9030 KEVLAR/GLASS FULL WRAP, SPIROLITE 4500 P.S.I., 60 MINUTE DURATION

1



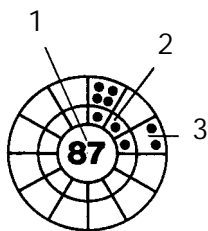
2

FACE MASK

Item	Qty	Order No	Description	Notes	Order No. specific for Silicone
1	1	336 890 083	FACE MASK NATURAL RUBBER WITH HARDCOATED VISOR, SPEECH DIAPHRAGM AND OUTER SPEECH CONE		336 890 233
1	1	336 890 433	AS ABOVE BUT WITH SPIROHATCH		
2	1	336 890 116	Face mask with hard coated visor and speech dia., (items 3-12, 14-24)		336 890 234
2	1	336 890 434	As above but with Spirohatch		
3	1	336 190 110	Lens frame assy.	*	
4	2	336 100 012	Frame half		
5	2	336 190 409	Screw	10 pack	
6a	1	336 890 126	Curved visor, hard coated		
6b	1	336 890 255	Spirohatch with lens		
7	1	336 890 117	Mask body assy.		336 890 235
8	1	336 890 248	Mask body, Natural rubber 70/30	*	336 900 158
9	5	336 190 263	Buckle assy.	3 pack	
10	1	336 190 020	Valve connection assy.	*	
11	-	331 900 079	Locking strap	*	
12	1	331 900 080	Strap lock	*	
13	1	336 101 031	Head harness, Chloroprene rubber		336 100 810
14	1	336 890 128	Inner mask assy		336 890 236
15	1	336 900 024	Inner mask, Natural rubber		336 900 157
16	2	336 890 132	Valve disc, Silicone	10 pack	
17	2	336 900 021	Valve seat		
18	1	336 190 246	Screw	10 pack	
19	1	336 100 018	Retaining plate		
20	1	336 190 773	Speech diaphragm with O-ring, EPDM		
21	1	336 190 790	O-ring, EPDM	10 pack	
22	2	336 900 264	Screw		
23	2	336 100 822	Locking plate		
24	1	336 190 774	External speech cone assembly		
25	1	336 100 815	Protective clip		
26	2	336 100 814	Handscrew		
27	2	336 190 255	Circlip	10 pack	
28	1	336 190 775	Speech diaphragm assy. (Items 20, 22 - 24)		
29	1	336 101 047	Protection cover		
30	1	336 890 226	Neck strap with buckles	Accessory	

* Not available separately

For parts where aging in stock may occur the material is indicated in the Spare Parts List and the cure date is indicated either on the package or on the part itself according to one of the following models.



Date marking of rubber parts

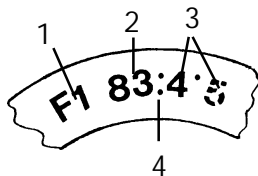
The clock should be read from the center then clockwise for subsequent years

1 Year of manufacturing the tool

2 Year of manufacturing the component. The first dot corresponds with year of tool manufacture.

3 The year in quarters

Exampel: This clock shows a product manufactured 2:nd quarter 1989 (No product manufactured 1988)



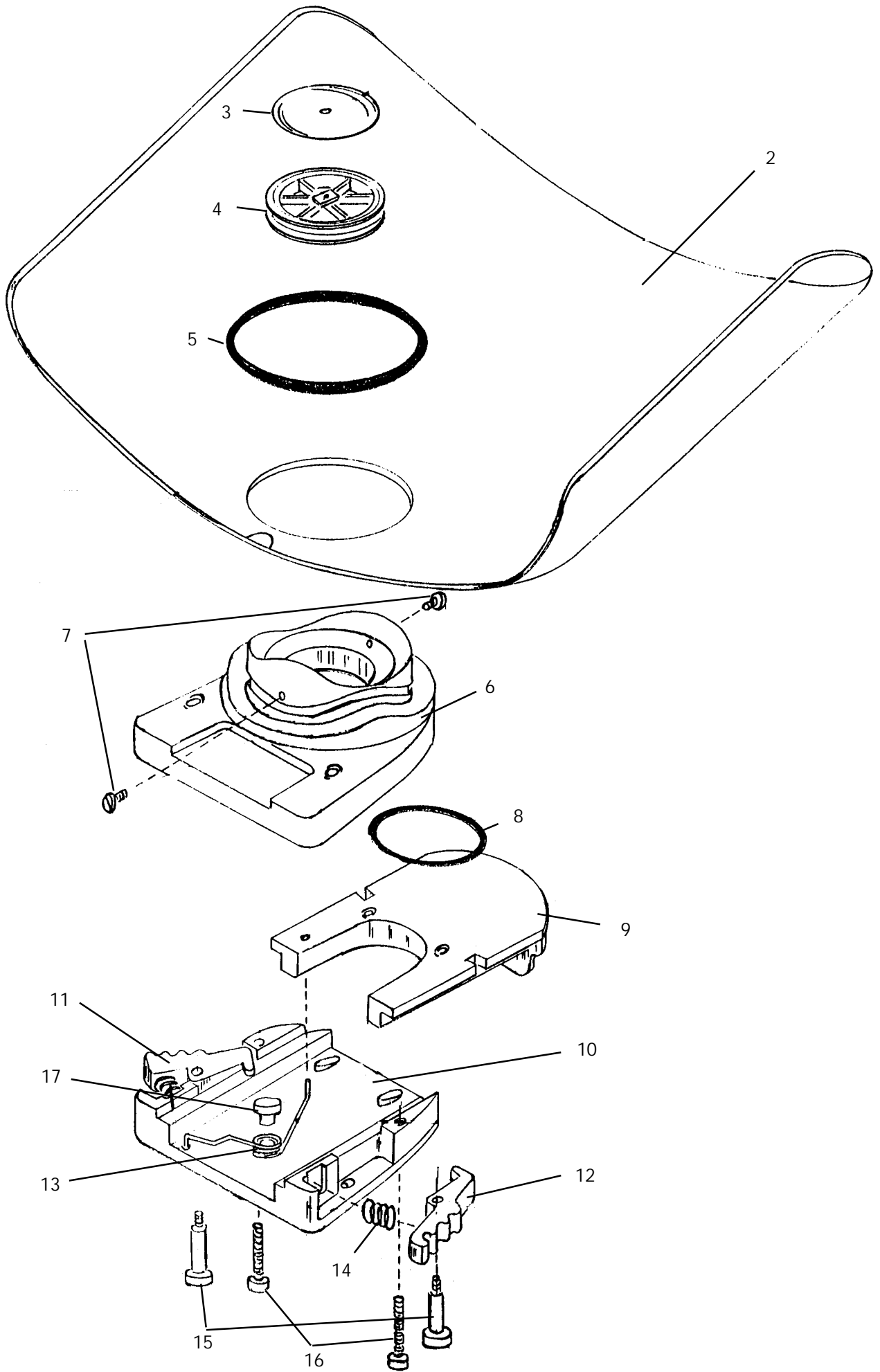
1 Tool number

2 Year of manufacturing the tool.

3 Following years

4 Half year indication (if used)

1

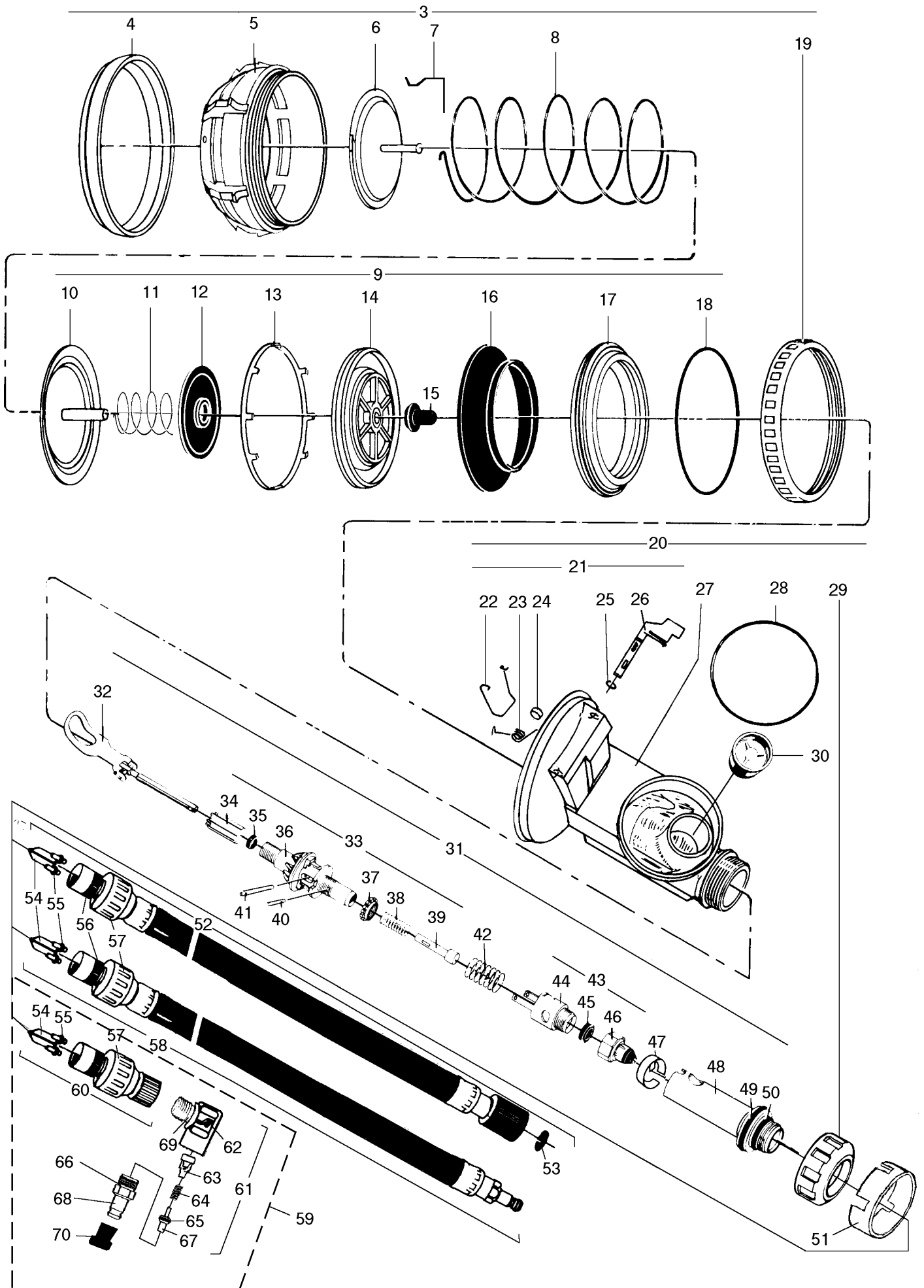


SPIROHATCH WITH LENS

Item	Qty	Order No	Description	Notes
1	1	336 890 255	AMBIENT AIR DEVICE "SPIROHATCH" WITH LENS	
2	1	336 800 217	Lens with hole	**
3	1	336 190 264	Valve disc	10 pack
4	1	336 800 209	Valve seat	
5	1	336 890 341	O-ring	10 pack
6	1	336 890 333	Seat/lens adaptor assy	*
7	2	336 890 345	Screw	10 pack
8	1	336 890 340	O-ring	10 pack
9	1	336 890 334	Hatch slide assy	*
10	1	336 890 332	Main body assy	*
11	1	336 800 205	Lever, release (Right)	
12	1	336 800 146	Lever, release (Left)	
13	1	336 800 147	Torsion spring	
14	1	336 800 206	Spring, lever	
15	2	336 890 343	Screw, shoulder	5 pack
16	2	336 800 216	Screw	
17	1	336 800 352	Spring guide	
		336 890 331	LENS REPLACEMENT KIT	
	1	Item 2	Lens with hole	
	1	336 800 252	Insert tool	
	2	Item 5	O-ring	
	2	Item 7	Screw	

* Not available separately
 ** Available only as replacement kit

1



8

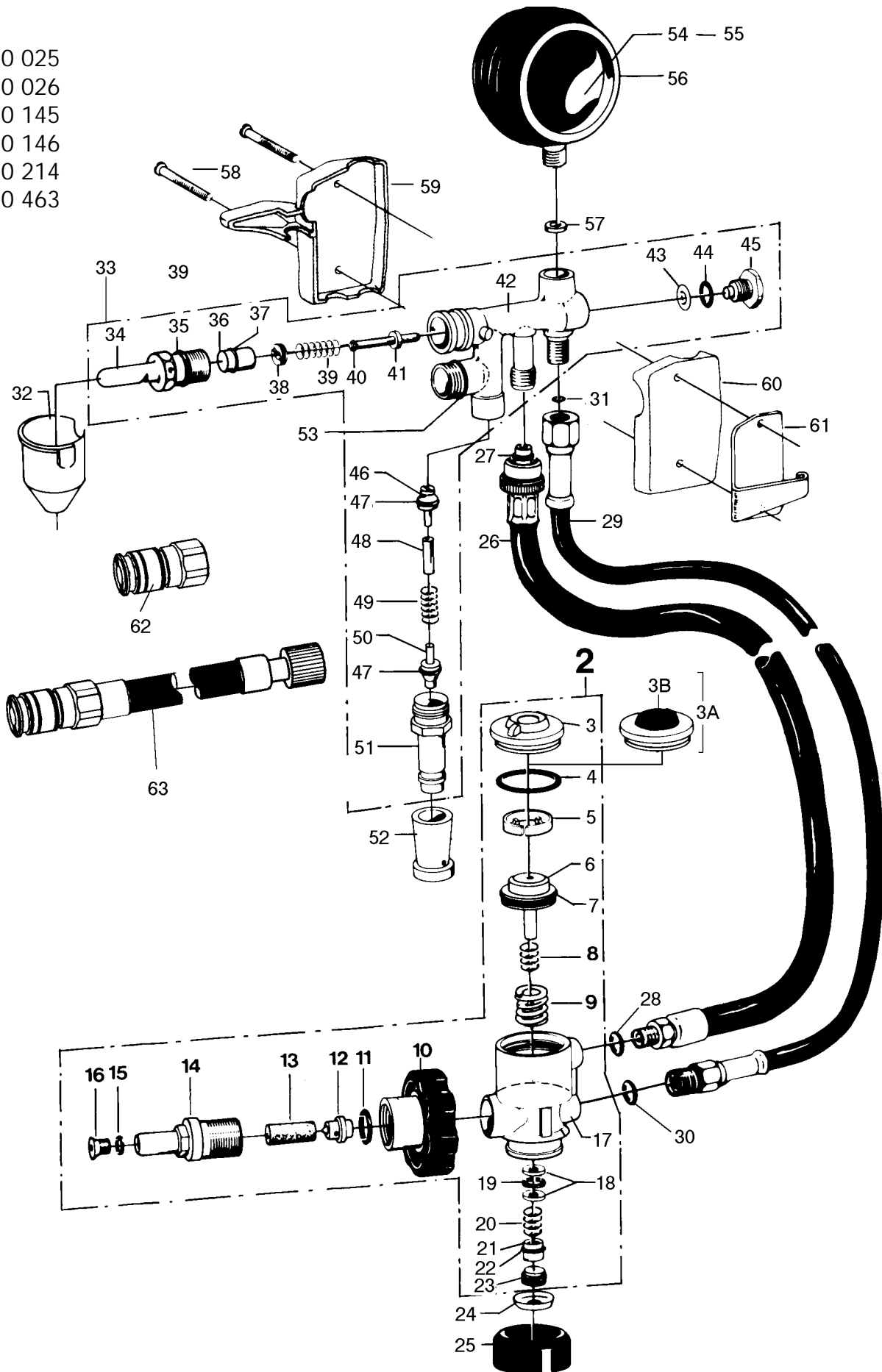
BREATHING VALVE

Item	Qty	Order No	Description	
1	1	336 890 115	BREATHING VALVE WITH BY-PASS HOSE	
2	1	336 890 230	Breathing valve	
3	1	336 890 231	Positive pressure attachment	
4	1	336 800 184	Shield ring	
5	1	336 100 002	Cover	
6	1	336 800 221	Guide disc	
7	1	336 800 185	Friction spring	
8	1	336 800 187	Positive pressure spring	
9	1	336 890 124	Diaphragm assy.	
10	1	336 100 005	Sealing disc	
11	1	336 800 186	Stabilizing spring	
12	1	336 100 006	Exhalation diaphragm, Silicone	
13	1	336 100 008	Securing ring	
14	1	336 100 007	Valve seat	
15	1	336 100 011	Guide pin	
16	1	336 800 086	Diaphragm, Silicone	
17	1	336 100 010	Diaphragm holder	
18	1	336 190 224	O-ring, Nitrile	5 pack
19	1	331 100 664	Locking ring	
20	1	336 890 238	Valve housing assy.	
21	1	336 190 142	Lever assy. set	
22	1	336 100 014	Locking spring	*
23	1	336 100 022	Lever spring	*
24	1	336 100 015	Distance ring	*
25	1	336 190 225	O-ring, Nitrile	10 pack
26	1	336 100 016	Lever	*
27	1	336 800 188	Valve housing	
28	1	336 190 226	O-ring, Nitrile	5 pack
29	1	331 100 652	Nut	
30	1	336 190 332	Non-return valve, Silicone	
31	1	336 890 134	Valve insert	
32	1	336 190 285	Lever assy.	
33	1	336 190 283	Counter pressure assy.	
34	1	336 100 024	Lever support	
35	1	336 100 019	Sealing sleeve, Silicone	
36	1	336 100 021	Centre spindle	
37	1	331 102 020	Adjusting nut	
38	1	336 100 033	Relief valve spring	
39	1	331 102 018	Relief valve piston	
40	1	336 190 259	Pin	10 pack
41	1	336 190 258	Pin	10 pack
42	1	336 100 027	Sealing spring	
43	1	336 890 135	Sealing piston assy.	
44	1	336 100 025	Lifting spindle	
45	1	336 800 087	Balancing diaphragm, Silicone	
46	1	336 890 129	Valve cone assy, Silicone	
47	1	336 100 777	Retaining ring	
48	1	336 100 020	Connection nipple	
49	1	336 190 227	O-ring, Nitrile	10 pack
50	1	336 190 228	O-ring, Nitrile	10 pack
51	1	336 100 831	Safety ring	
52	1	336 890 008	Breathing hose with by-pass valve	
53	1	336 190 236	O-ring, Nitrile	10 pack
54	1	336 100 044	Valve lifter	
55	2	336 190 438	O-ring, Nitrile	10 pack
56	1	336 800 031	Spacer	
57	1	336 800 030	By-pass knob, EPDM Fr	
1	1	336 890 237	BREATHING VALVE AND BY-PASS HOSE WITH QUICK COUPLING (Items 2-51, 54-57 are the same as for breathing valve 336 190 115)	
58	1	346 190 097	Breathing hose with by-pass valve	
1	1	336 890 215	BREATHING VALVE WITH BY-PASS AND QUICK CONNECTION (Items 2-51, 54, 55, 57 are the same as for breathing valve 336 190 115)	
59	1	336 890 249	By-pass with 90° quick coupling	
60	1	336 890 211	By-Pass	
61	1	336 890 212	Male quick coupling with non-return valve	
62	1	336 800 174	Manifold	
63	1	336 100 404	Valve guide	
64	1	336 800 175	Spring	
65	1	336 900 370	O-ring, EPDM	
66	1	346 190 069	O-ring, Nitrile	10 pack
67	1	336 100 405	Valve cone	
68	1	336 800 196	Male quick coupling,	
69	1	336 190 228	O-ring, Nitrile	10 pack
70	1	336 100 625	Protective cap, Chloroprene rubber	

*Not available separately

1

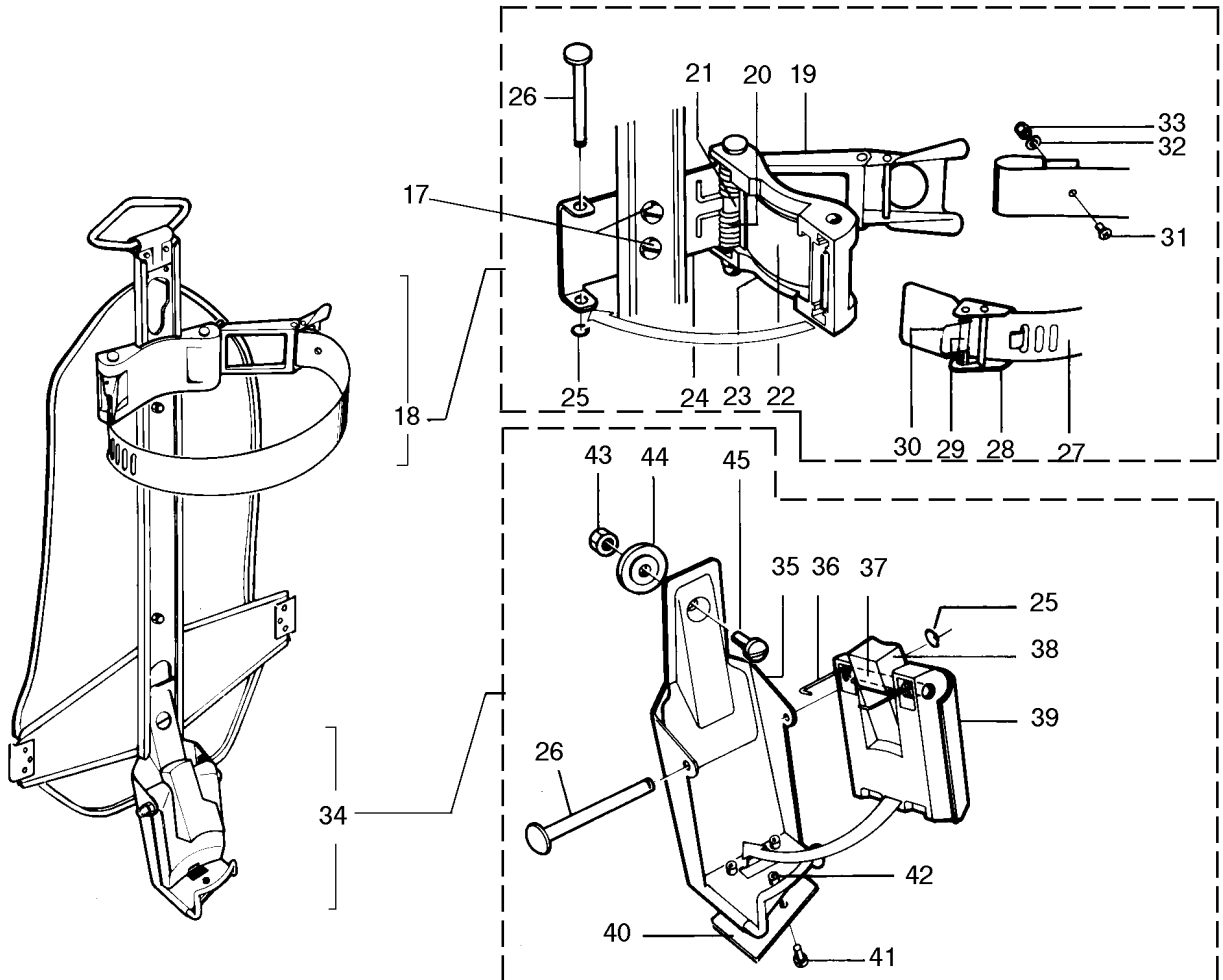
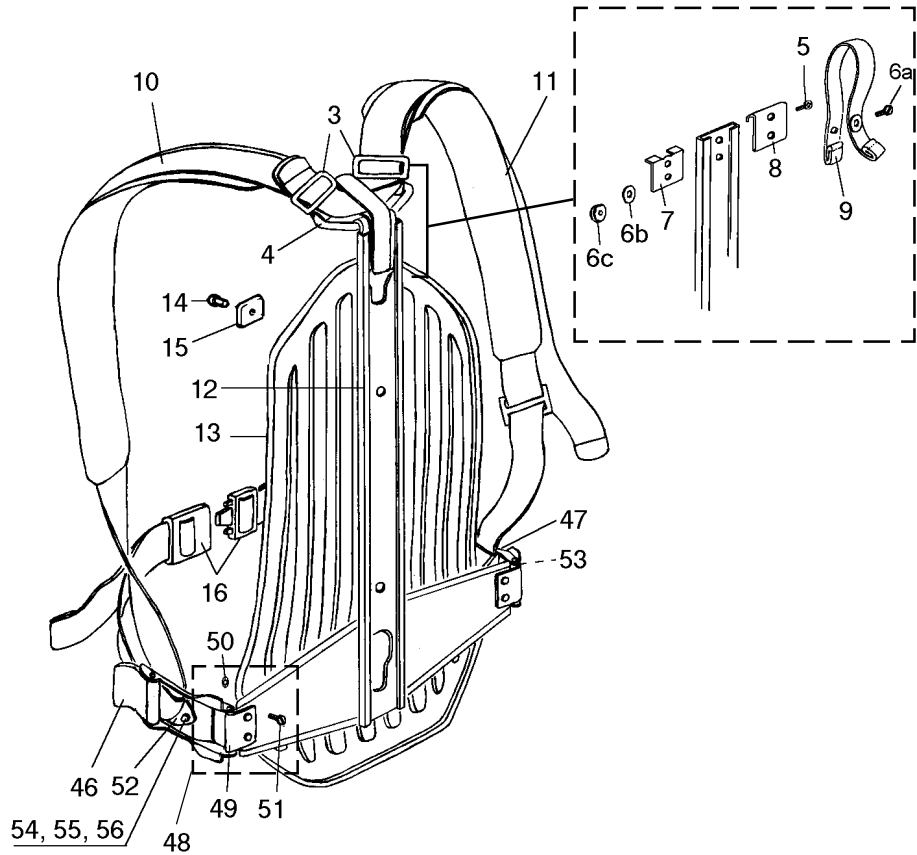
- 336 890 025
- 336 890 026
- 336 890 145
- 336 890 146
- 336 890 214
- 336 890 463



REGULATOR UNIT

Item	Qty	Order No	Description	Notes	Order No. specific for 4515
1	1	336 890 025	REGULATOR UNIT 4500 psi		336 890 026 (2216 psi)
2	1	336 890 007	Pressure regulator 4500 psi		336 890 010 (2216 psi)
3	1	336 100 134	Cover		
4	1	336 190 229	O-ring, EPDM	10 pack	
5	1	336 100 049	Stop ring		
6	1	336 100 128	Piston		
7	1	336 190 230	O-ring, EPDM	10 pack	
8	1	336 100 422	Spring		
9	1	336 100 048	Spring		
10	1	336 190 432	Handwheel connector		336 190 433 (2216 psi)
11	1	336 890 105	O-ring	10 pack	
12	1	336 100 653	Filter holder		
13	1	212 100 014	Inlet filter		
14	1	336 100 652	Connection nipple		336 100 655 (2216 psi)
15	1	336 190 437	O-ring, Teflon	10 pack	
16	1	336 100 656	Nipple tip		
17	1	336 100 124	Regulator body		
18	2	336 100 131	Supporting washer		
19	1	336 190 233	O-ring, EPDM	10 pack	
20	1	336 100 280	Spring		
21	1	336 100 126	Valve seat		
22	1	336 190 231	O-ring, EPDM	10 pack	
23	1	336 100 127	Adjusting screw		
24	1	336 190 256	Cover plate	25 pack	
25	1	336 100 530	Rubber cap, EPDM Fr		
26	1	336 890 159	Supply hose		
27	1	336 190 221	O-ring, Nitrile NDR	10 pack	
28	1	336 190 311	O-ring, Nitrile	10 pack	
29	1	336 190 075	High pressure hose		
30	1	336 190 221	O-ring, Nitrile	10 pack	
31	1	336 190 235	O-ring, Nitrile	10 pack	
32	1	336 100 354	Protective cap		
33	1	336 190 173	Pressure gauge manifold		
34	1	336 190 176	Whistle		
35	1	336 190 381	O-ring, Nitrile	10 pack	
36	1	336 100 346	Nozzle		
37	1	336 190 371	O-ring, Nitrile	10 pack	
38	1	336 100 350	Adjusting screw		
39	1	331 101 120	Spring		
40	1	336 190 239	O-ring, Nitrile	10 pack	
41	1	336 100 352	Spindle		
42	1	336 190 374	Housing		
43	1	336 190 240	O-ring	5 pack	
44	1	336 190 384	O-ring, Nitrile	10 pack	
45	1	336 100 353	Plug		
46	1	331 101 110	Valve cone		
47	2	336 190 232	O-ring, EPDM	10 pack	
48	1	336 100 349	Guide bushing		
49	1	336 100 359	Spring		
50	1	336 100 405	Valve cone		
51	1	336 100 406	Quick coupling connection		
52	1	336 190 257	Protective cap, EPDM Fr	3 pack	
53	1	336 190 228	O-ring, Nitrile	10 pack	
54	1	336 890 109	Pressure gauge assy. (4500 psi)**		336 890 108 (2216psi)**
55	1	336 890 088	Pressure gauge (4500 psi)		336 890 087 (2216 psi)
56	1	336 100 771	Rubber cover, Silicone		
57	1	336 190 159	Gasket set		
58	2	336 190 247	Screw	10 pack	
59	1	336 100 417	Front cover		
60	1	336 100 416	Back cover		
61	1	336 100 173	Retaining clip		
<hr/>					
1	1	336 890 145	REGULATOR UNIT WITH SAFETY VALVE AND QUICK COUPLING AT MANIFOLD BLOCK (4500 psi)		336 890 146 (2216 psi)
2	1	336 890 143	Pressure regulator with safety cap (4500 psi)		336 890 144 (2216 psi)
3A	1	336 190 711	Safety valve with protective cap		
3b	1	336 100 592	Protective cap, EPDM Fr		
			(Items 4 - 61 same as for 336 890 025 regulator unit)		(Items 4 - 61 same as for 336 890 026 reg. unit)
62	1	336 900 168	Coupling, Euro		
<hr/>					
1	1	336 890 214	REGULATOR UNIT (4500 psi) WITH SAFETY VALVE AND BREATHING HOSE WITH QUICK COUPLING USAF (Items 2, 3A and 3B same as for 336 890 145 regulator unit, Items 4 - 61 same as for 336 890 025 regulator unit)		336 890 463 (2216 PSI)
63	1	336 890 213	Breathing hose with female quick coupling		(Items 2, 3A and 3B same as for 336 890 145 reg. unit, 4 - 61 same as for 336 890 025)

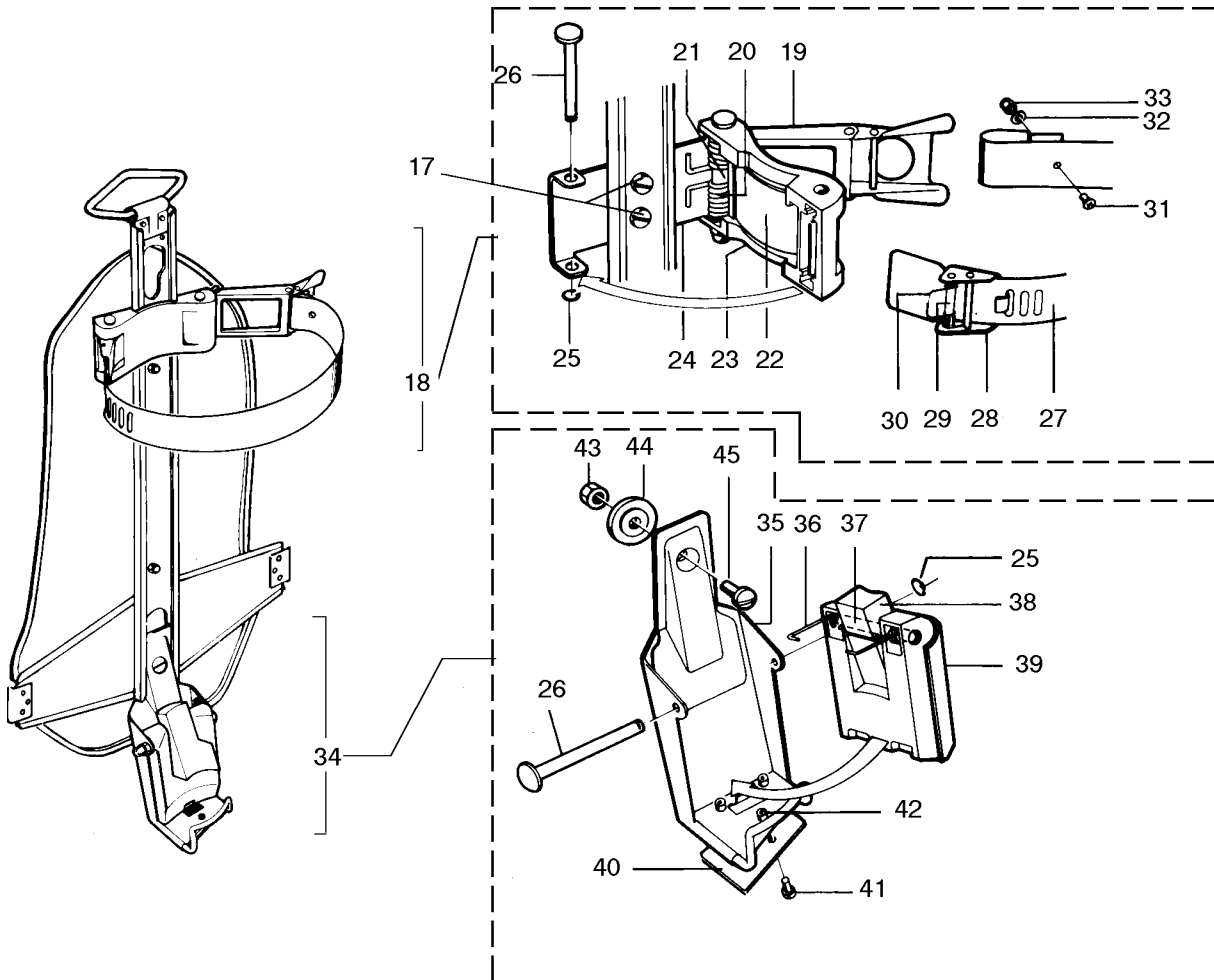
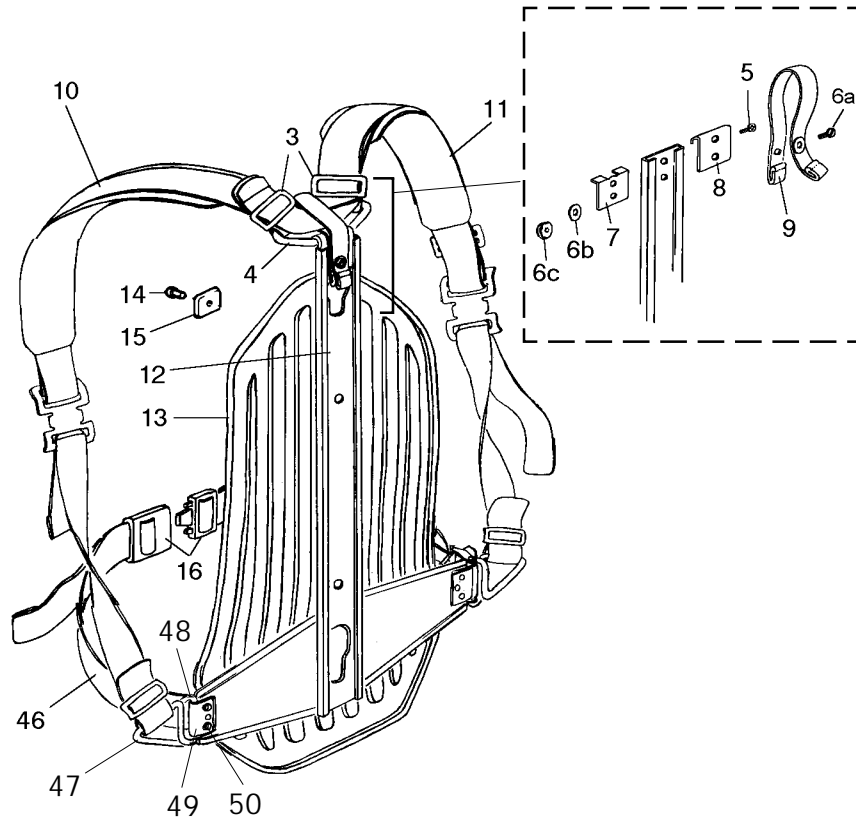
*Not available separately
 **With pressure gauge, rubber cover and gasket



HARNESS

Item	Qty	Order No	Description	Notes
1	1	336 890 152	HARNESS ASSEMBLY	
2	1	336 890 153	Harness	
3	3	336 100 115	Webbing buckle	
4	1	336 100 572	D-ring	
5	1	941 217 323	Screw	
6a	1	941 217 329	Screw	
6b	1	944 482 146	Washer	
6c	1	941 680 314	Nut	
7	1	336 100 951	Stop	
8	1	336 100 950	Hook	
9	1	336 800 235	Loop strap	
10	1	336 890 155	Shoulder strap assy. Left.	
11	1	336 890 156	Shoulder strap assy. Right	
12	1	336 190 585	Carrier frame	
13	1	336 100 123	Back plate	
14	2	346 190 190	Screw	10 pack
15	2	336 100 691	Clamping plate	
16	1	346 190 112	Waist buckle assy. left + right	
17	2	346 190 280	Screw	10 pack
18	1	336 190 828	Cylinder strap assembly	
19	1	336 190 435	Toggle fastener	
20	1	336 100 676	Tension spring	
21	1	336 100 674	Bushing	
22	1	336 100 681	Guide plate	
23	1	336 100 677	Support	
24	1	336 100 961	Beam	
25	3	336 890 096	Circlip	10 pack -1 clip belongs to item 29
26	3	336 100 718	Bolt	1 bolt belongs to Item 29
27	1	336 100 680	Fastening strap	
28	1	336 190 436	Hook assy.	
29	1	336 100 689	Bushing	
30	1	336 100 679	Spring	
31	1	336 890 097	Screw	10 pack
32	1	336 890 098	Washer	10 pack
33	1	336 890 099	Locking nut	10 pack
34	1	336 890 047	Cylinder bracket, assembly	
35	1	336 890 048	Cylinder support	
36	1	336 800 033	Locking spring	
37	1	336 800 042	Bushing	
38	1	338 800 034	Latch	
39	1	336 800 035	Docking piece	
40	1	336 890 050	Shock absorber	
41	3	336 890 100	Screw	10 pack
42	3	336 190 453	Locking nut	10 pack
43	1	336 890 101	Locking nut	5 pack
44	1	336 100 675	Washer	
45	1	346 190 299	Screw	10 pack
46	1	346 190 318	Excenter buckle, left	
47	1	346 190 319	Excenter buckle, right	
48	2	346 190 118	Excenter mounting set	
49	2	336 100 622	Hook	*
50	4	336 190 453	Locking nut	
51	4	941 217 287	Screw	10 pack
52	1	346 100 193	Harness guide, left	
53	1	346 100 194	Harness guide right	
54	2	346 900 055	Nut	
55	2	346 900 056	Washer	
56	2	346 900 057	Screw	
		336 800 047	Label	10 pack

*Not available separately

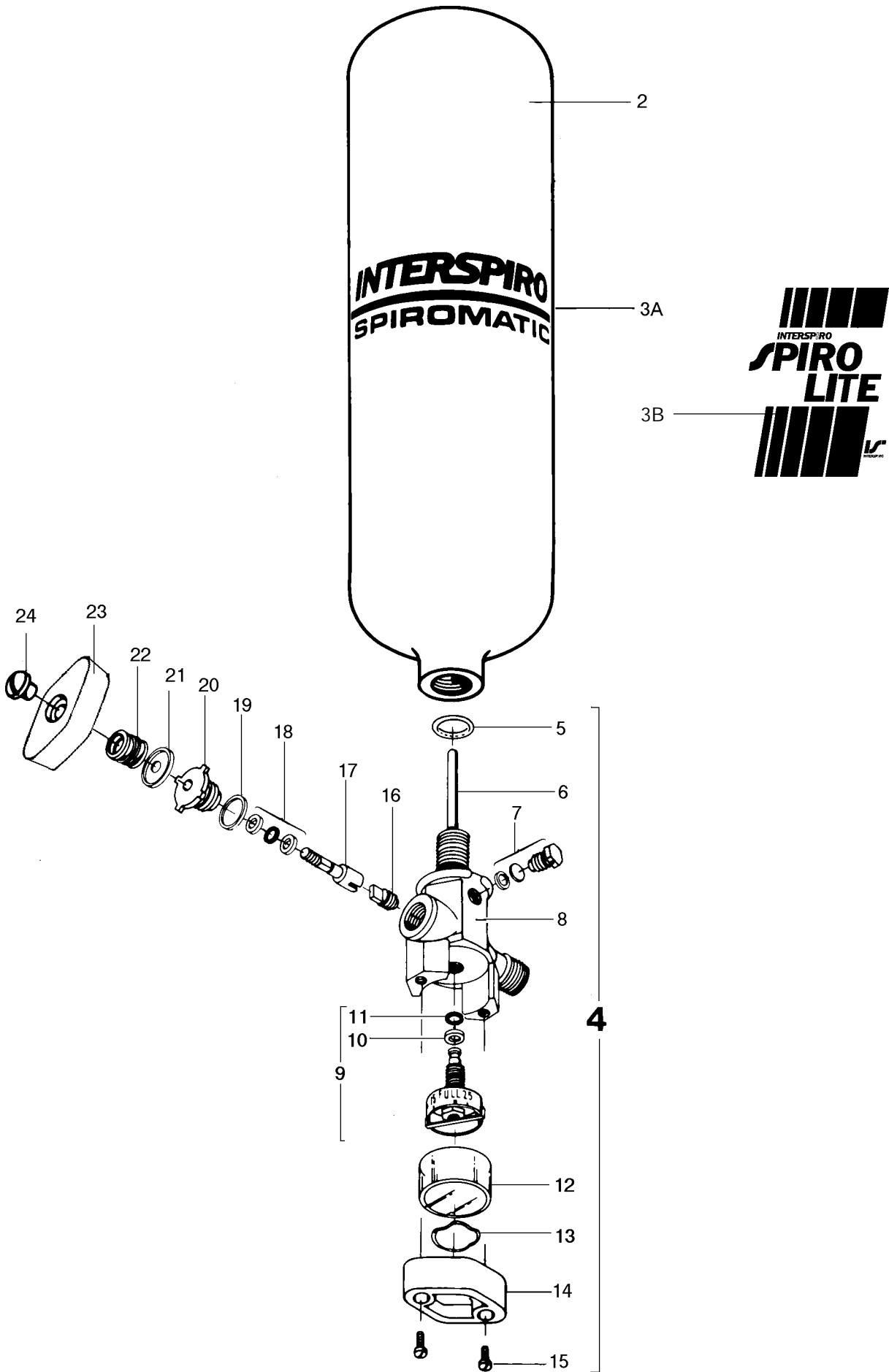


HARNESS

Item	Qty	Order No	Description	
1	1	336 890 052	HARNESS ASSEMBLY	
2	1	336 890 053	Harness	
3	5	336 100 115	Webbing buckle	
4	1	336 100 572	D-ring	
5	1	941 217 323	Screw	
6a	1	941 217 329	Screw	
6b	1	944 482 146	Washer	
6c	1	941 680 314	Nut	
7	1	336 100 951	Stop	
8	1	336 100 950	Hook	
9	1	336 800 235	Loop strap	
10	1	336 890 283	Shoulder strap assy. Left.	
11	1	336 890 282	Shoulder strap assy. Right	
12	1	336 190 585	Carrier frame	
13	1	336 100 123	Back plate	
14	2	346 190 190	Screw	10 pack
15	2	336 100 691	Clamping plate	
16	1	346 190 112	Waist buckle assy. left + right	
17	2	346 190 280	Screw	10 pack
18	1	336 190 828	Cylinder strap assembly	
19	1	336 190 435	Toggle fastener	
20	1	336 100 676	Tension spring	
21	1	336 100 674	Bushing	
22	1	336 100 681	Guide plate	
23	1	336 100 677	Support	
24	1	336 100 961	Beam	
25	3	336 890 096	Circlip	10 pack -1 clip belongs to item 29
26	3	336 100 718	Bolt	1 bolt belongs to Item 29
27	1	336 100 680	Fastening strap	
28	1	336 190 436	Hook assy.	
29	1	336 100 689	Bushing	
30	1	336 100 679	Spring	
31	1	336 890 097	Screw	10 pack
32	1	336 890 098	Washer	10 pack
33	1	336 890 099	Locking nut	10 pack
34	1	336 890 047	Cylinder bracket, assembly	
35	1	336 890 048	Cylinder support	
36	1	336 800 033	Locking spring	
37	1	336 800 042	Bushing	
38	1	338 800 034	Latch	
39	1	336 800 035	Docking piece	
40	1	336 890 050	Shock absorber	
41	3	336 890 100	Screw	10 pack
42	3	336 190 453	Locking nut	10 pack
43	1	336 890 101	Locking nut	5 pack
44	1	336 100 675	Washer	
45	1	346 190 299	Screw	
46	2	336 800 239	Waist strap	
47	2	336 100 103	V-ring	
48	4	336 190 453	Locking nut	
49	2	336 100 622	Hook	
50	4	941 217 287	Screw	
	1	336 800 047	Label	10 pack

*Not available separately

1



CYLINDER ASSEMBLY

Item	Qty	Order No	Description	Notes	Order No. specific for 4515
1	1	336 890 006	CYL. ASSY. 4515 FIBERGLASS HOOP WRAP,	2216 psi 45 cu.ft.	
2	1	336 980 008	Cylinder	(30 minute)	
3A	1	336 100 744	Label		
4	1	336 980 025	Cylinder valve assy		
1	1	336 890 138	CYL. ASSY. 4515 FIBERGLASS FULL WRAP,	2216 psi 45 cu.ft.	
2	1	336 980 087	Cylinder	(30 minute)	
3B	1	336 800 157	SPIROLITE label		
4	1	336 980 025	Cylinder valve assy		
1	1	336 890 003	CYL. ASSY. 4530 FIBERGLASS FULL WRAP,	4500 psi 45 cu.ft.	
2	1	336 980 007	Cylinder	(30 minute)	
3A	1	336 100 744	Label		
4	1	336 980 024	Cylinder valve assy		
1	1	336 890 300	CYL. ASSY. 4530 KEVLAR/GLASS FULL WRAP	4500 psi 45 cu.ft.	
2	1	336 980 258	Cylinder	(30 minute)	
3B	1	336 800 157	SPIROLITE label		
4	1	336 980 024	Cylinder valve assy		
1	1	336 890 063	CYL. ASSY. 6630 FIBERGLASS FULL WRAP	4500 psi 66 cu.ft.	
2	1	336 980 005	Cylinder	(45 minute)	
3A	1	336 100 744	Label		
4	1	336 980 024	Cylinder valve assy		
1	1	336 890 177	CYL. ASSY. 6630 KEVLAR/GLASS FULL WRAP	4500 psi 66 cu.ft.	
2	1	336 980 142	Cylinder	(45 minute)	
3B	1	336 800 157	SPIROLITE label		
4	1	336 980 024	Cylinder valve assy		
1	1	336 890 037	CYL. ASSY. 9030 FIBERGLASS FULL WRAP	4500 psi 87 cu.ft.	
2	1	336 980 006	Cylinder	(60 minute)	
3A	1	336 100 744	Label		
4	1	336 980 024	Cylinder valve assy.		
1	1	336 890 257	CYL. ASSY. 9030 KEVLAR/GLASS FULL WRAP	4500 psi 87 cu.ft.	
2	1	336 980 090	Cylinder	(60 minute)	
3B	1	336 800 157	SPIROLITE label		
4	1	336 980 024	Cylinder valve assy		
4	1	336 980 024	Cylinder valve assy. (4500 psi)		336 980 025 (2216 psi)
5	1	336 890 070	O-ring, Nitrile rubber	10 pack	336 890 074 (2216 psi)
6	1	336 980 059	Drain tube	*	
7	1	336 890 071	Safety device kit		336 890 075 (2216 psi)
8	1	336 980 044	Valve body	*	336 980 063 (2216 psi)
9	1	336 980 045	Pressure gauge assy.		336 980 064 (2216 psi)
10	1	336 890 103	Washer	10 pack	
11	1	336 890 104	O-ring, Nitrile rubber	10 pack	
12	1	336 980 046	Gauge cover		
13	1	336 980 047	Spring wave washer		
14	1	336 980 048	Bumper and guard assy.		
15	2	336 890 072	Screw	20 pack	
16	1	336 980 050	Plug and seat assy.		
17	1	336 980 051	Valve stem		
18	1	336 890 073	Seal kit, Teflon, Nitrile rubber	10 pack	
19	1	336 890 076	Gasket	10 pack	
20	1	336 980 054	Bonnet		
21	1	336 980 055	Wear washer		
22	1	336 980 056	Handwheel spring		
23	1	336 980 057	Handwheel		
24	1	336 980 058	Stem nut		

* Not available separately

